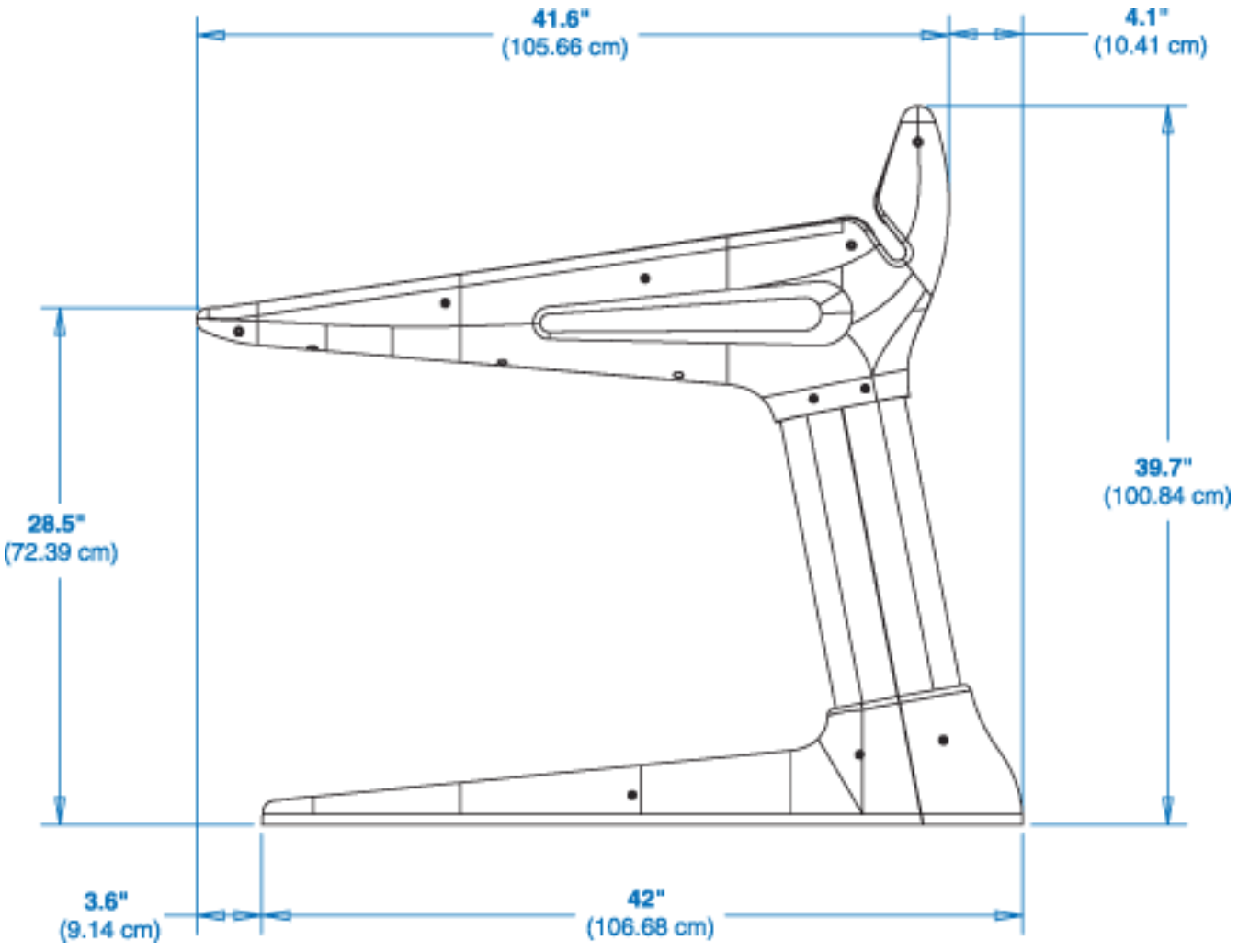


D-Control Specifications



D-Control Console Width

- 16-fader Console: 65.3" / 165.86 cm
- 32-fader Console: 88.5" / 224.79 cm
- 48-fader Console: 111.6" / 283.46 cm
- 64-fader Console: 134.8" / 342.39 cm
- 80-fader Console: 157.9" / 401.07 cm

D-Control Master Module

Weight: 88.15 lbs / 39.98 kg
AC: 100-240 VAC, 50-60 Hz, 2.5 A

D-Control Fader Module

Weight: 62.5 lbs / 28.35 kg
AC: 100-240 VAC, 50-60 Hz, 2.5 A

XMON

2U rack enclosure
Width: 19" / 48.26 cm
Depth: 14" / 35.56 cm + 3" / 7.62 cm cable access
AC: 100-240 VAC, 50-60 Hz, 0.5 A

XMON Main Monitor Path

Gain Range: -90 dB to +30 dB in 1 dB steps with 0.5 dB trim

Frequency Response: 20 Hz $\hat{=}$ 200 kHz +/- 0.1 dB

Maximum Input Level: +26 dB

THD+N: 0.0006 @ 1 kHz @ +15 dBu

CMRR: >75 dB